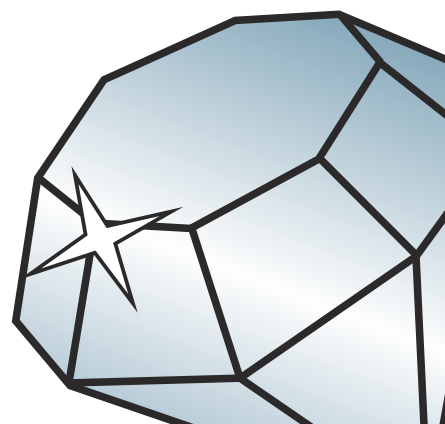


Royale VS Sash

Section Identification Guide



DURATION
WINDOWS



Contents



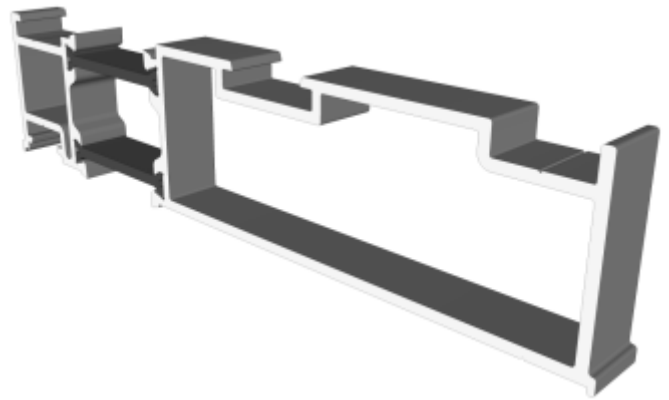
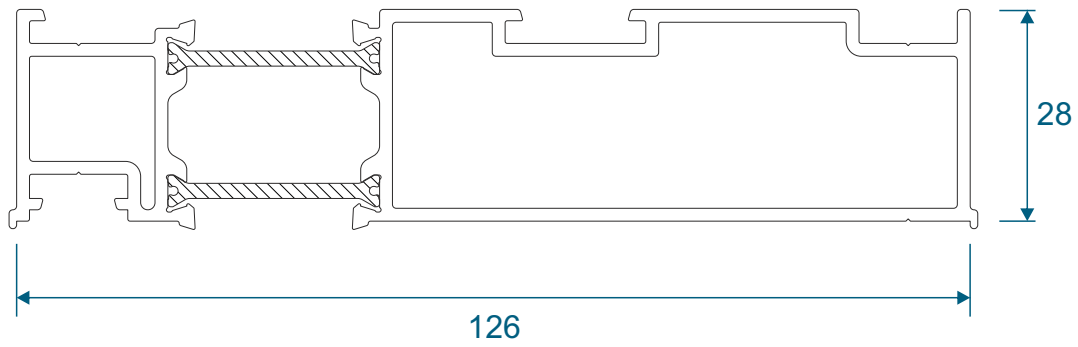
Head & Jamb	3
Cill	4
Sashes	5
Beads, Interlock & Astragals	6

Sections

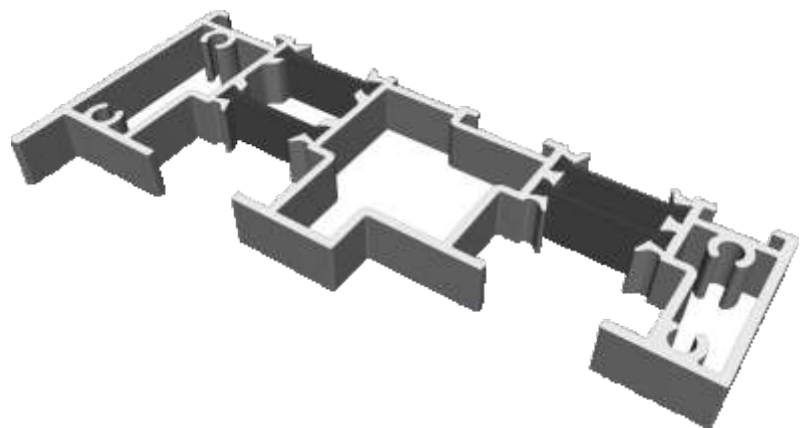
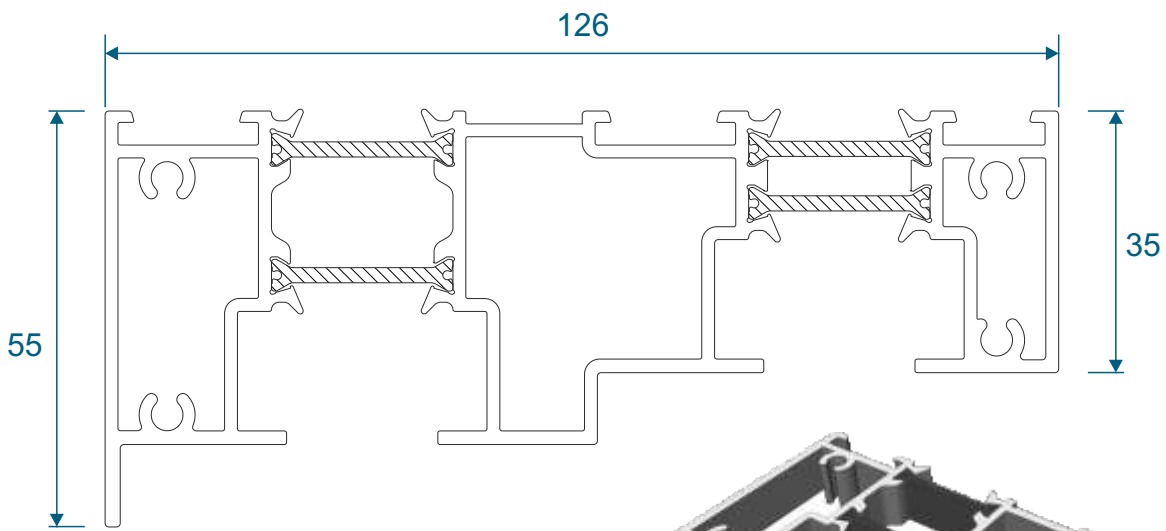
Head, Interlock / Midrail, Cill	7
Jamb	8
Astragal	9

Head & Jamb

VS111 - Head Frame

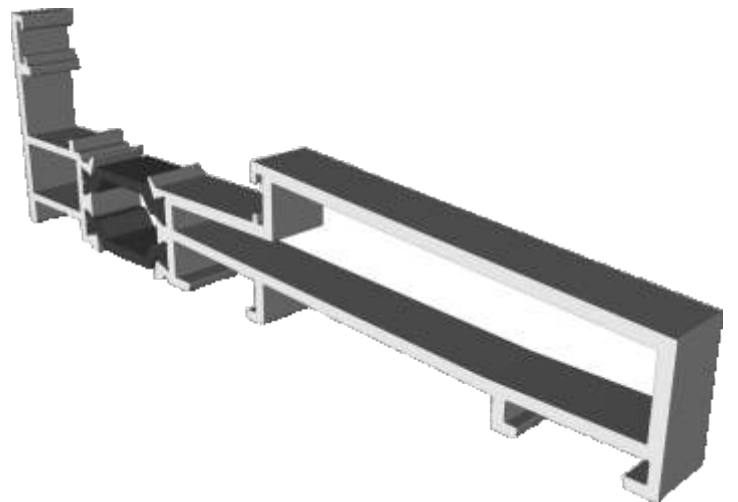
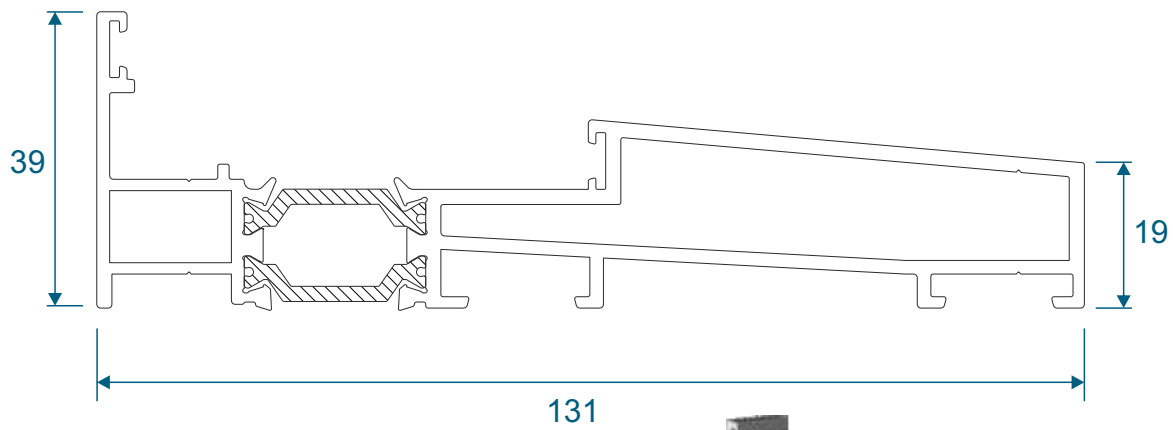


VS112 - Jamb

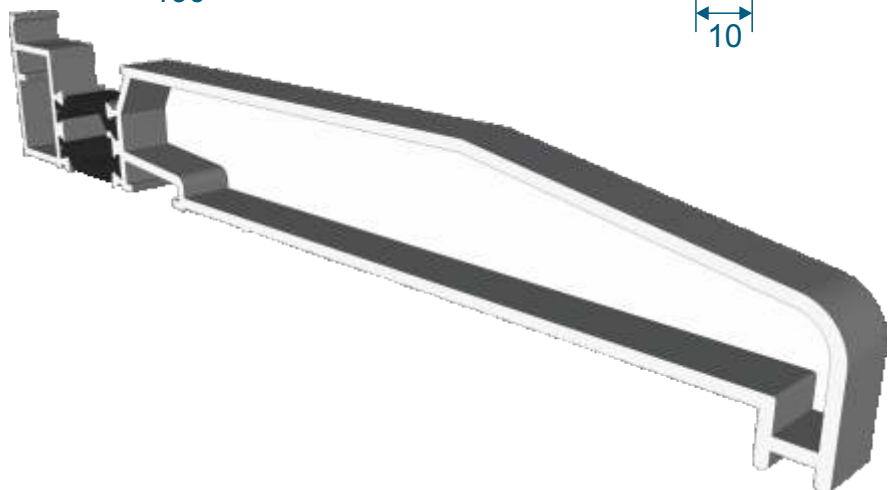
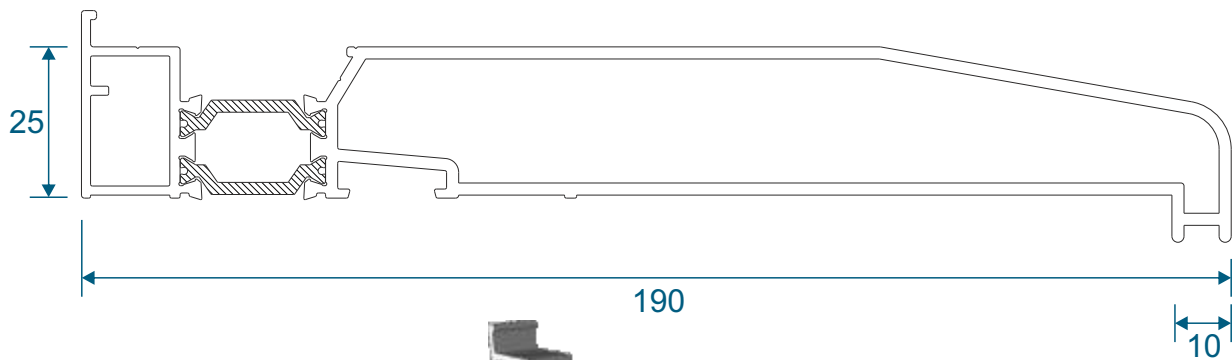


Cill

ZSB147 - Cill

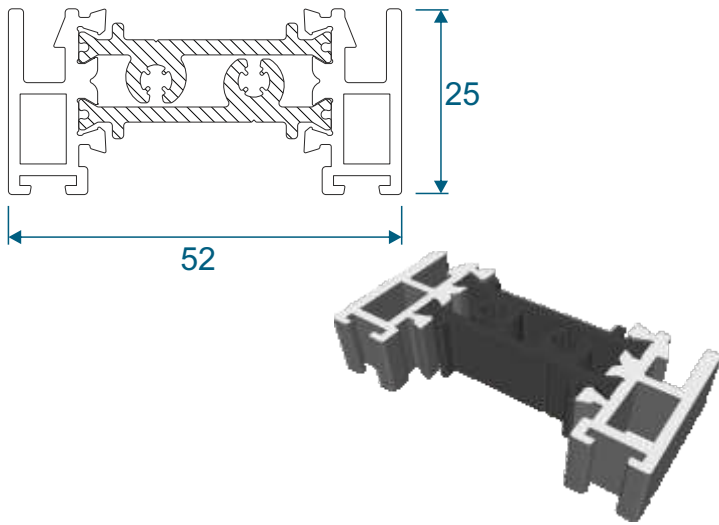


ETC458 - Optional 190mm Cill For Extra 57mm Projection

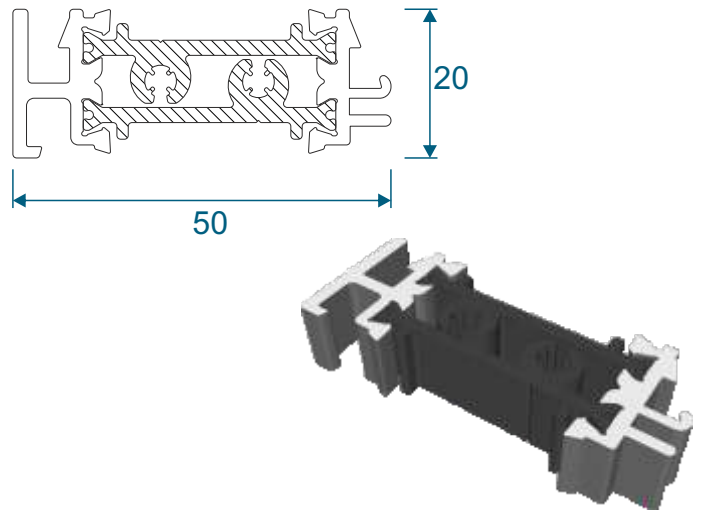


Sashes

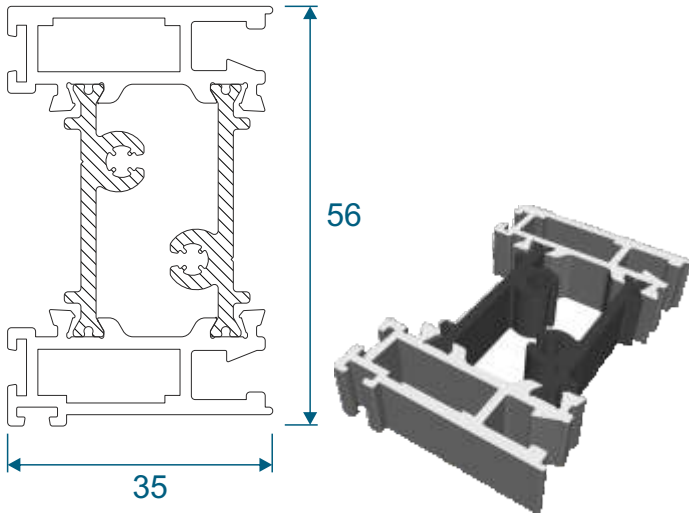
ZSB144 - Top Rail Of Top Sash



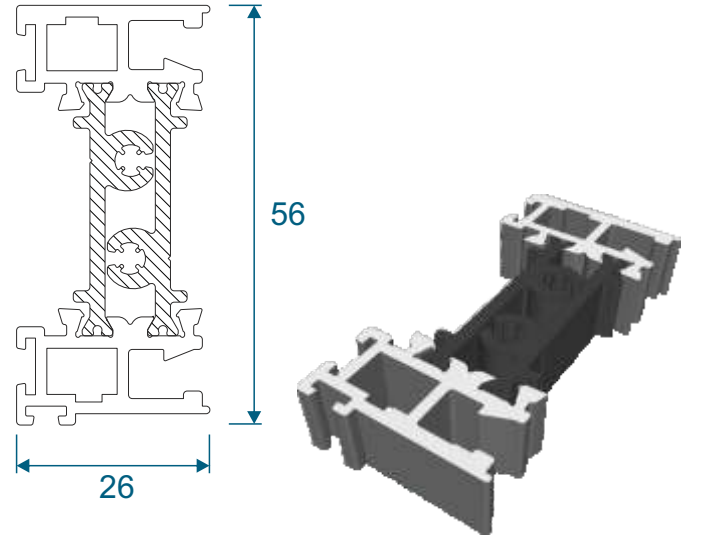
ZSB145 - Top & Bottom Rail Of Transom



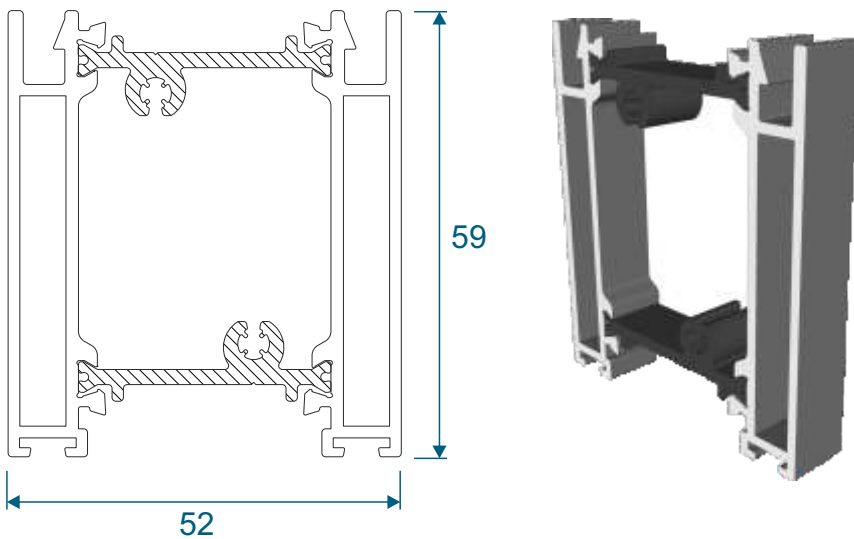
ZSB123 - Jamb Of Bottom Sash



ZSB124 - Jamb Of Top Sash

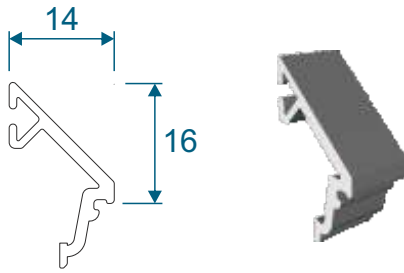


ZSB146 - Deep Bottom Rail

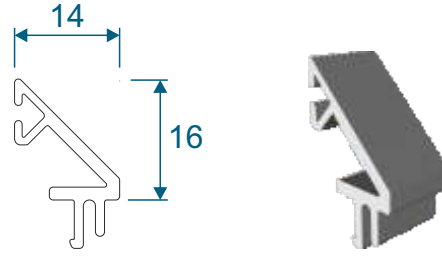


Beads, Interlocks & Astragal

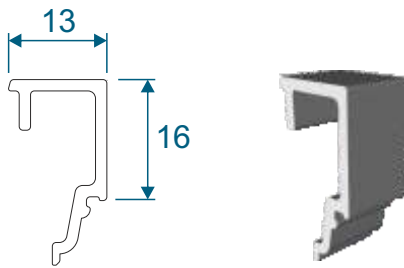
ZSB148 - Horizontal Chamfered Bead



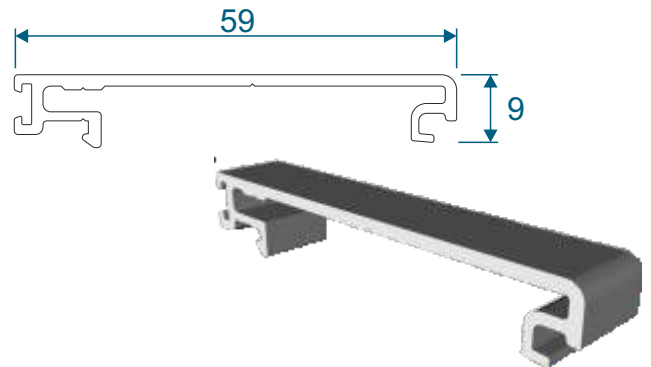
ZSB154 - Vertical Chamfered Bead



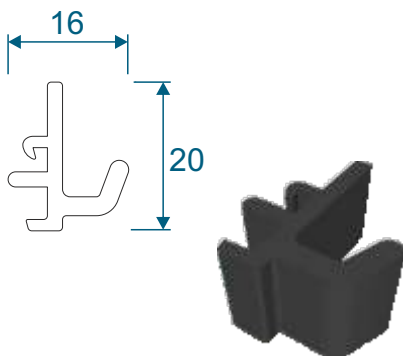
VS045 - Internal Square Bead



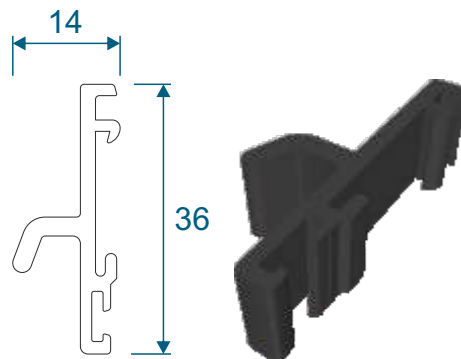
VS130 - Interlock Cap



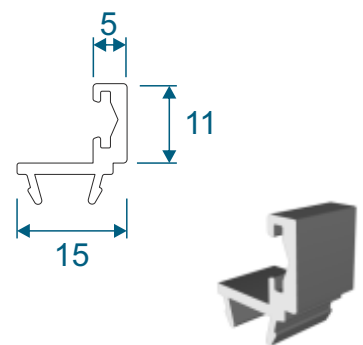
VS031 - External PVC Interlock



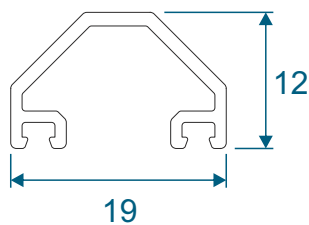
VS032 - Internal PVC Interlock



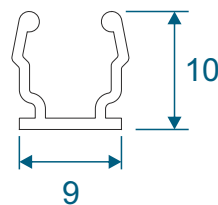
VS041 - Wool Pile Carrier



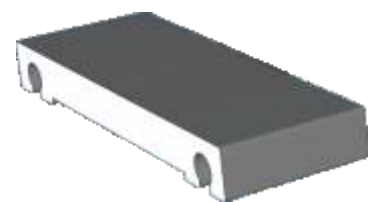
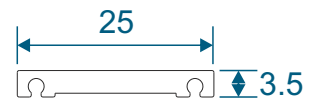
ZSB98 - A-Shaped Bar



ZSB99 - Fixing Plate

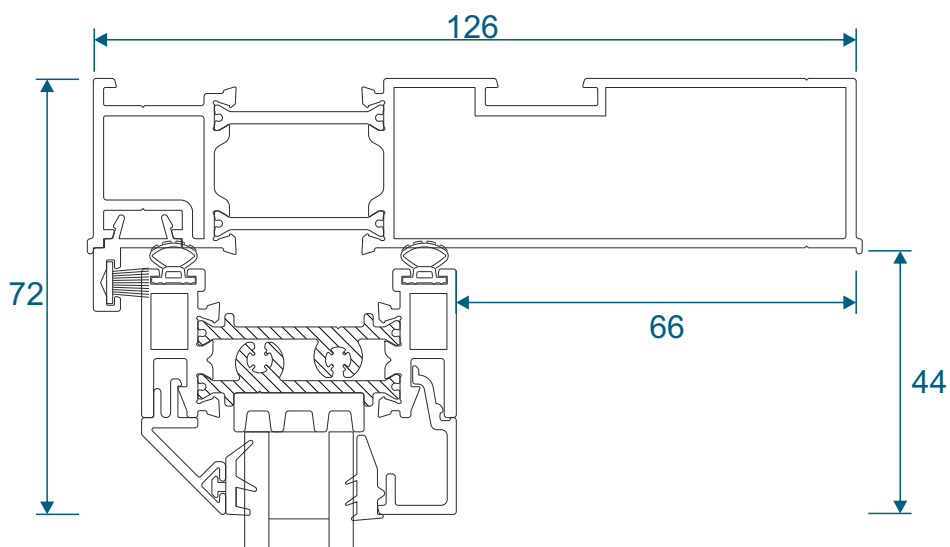


W20165 - 25mm Flat Astragal

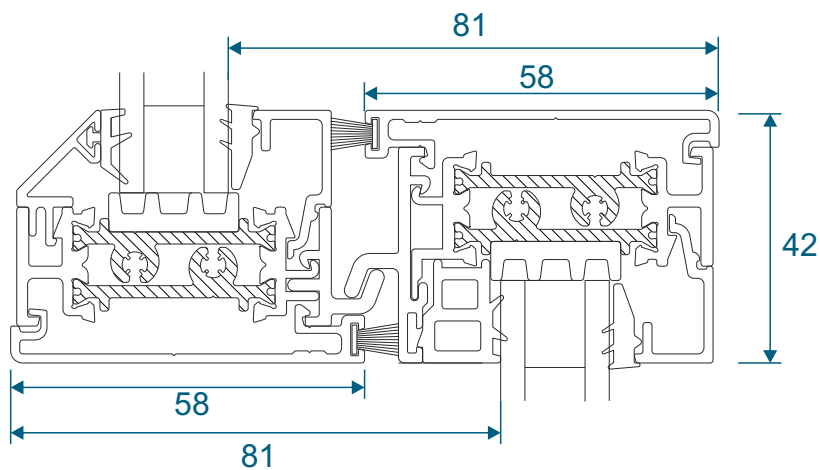


Sections

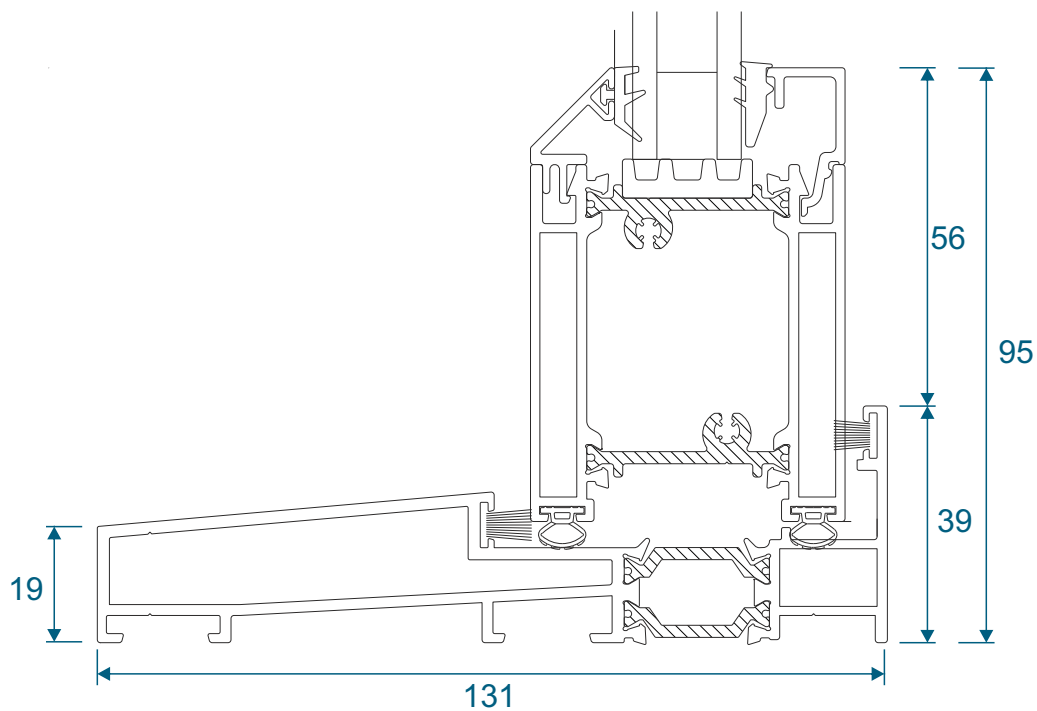
Head Section



Midrial / Interlock Section

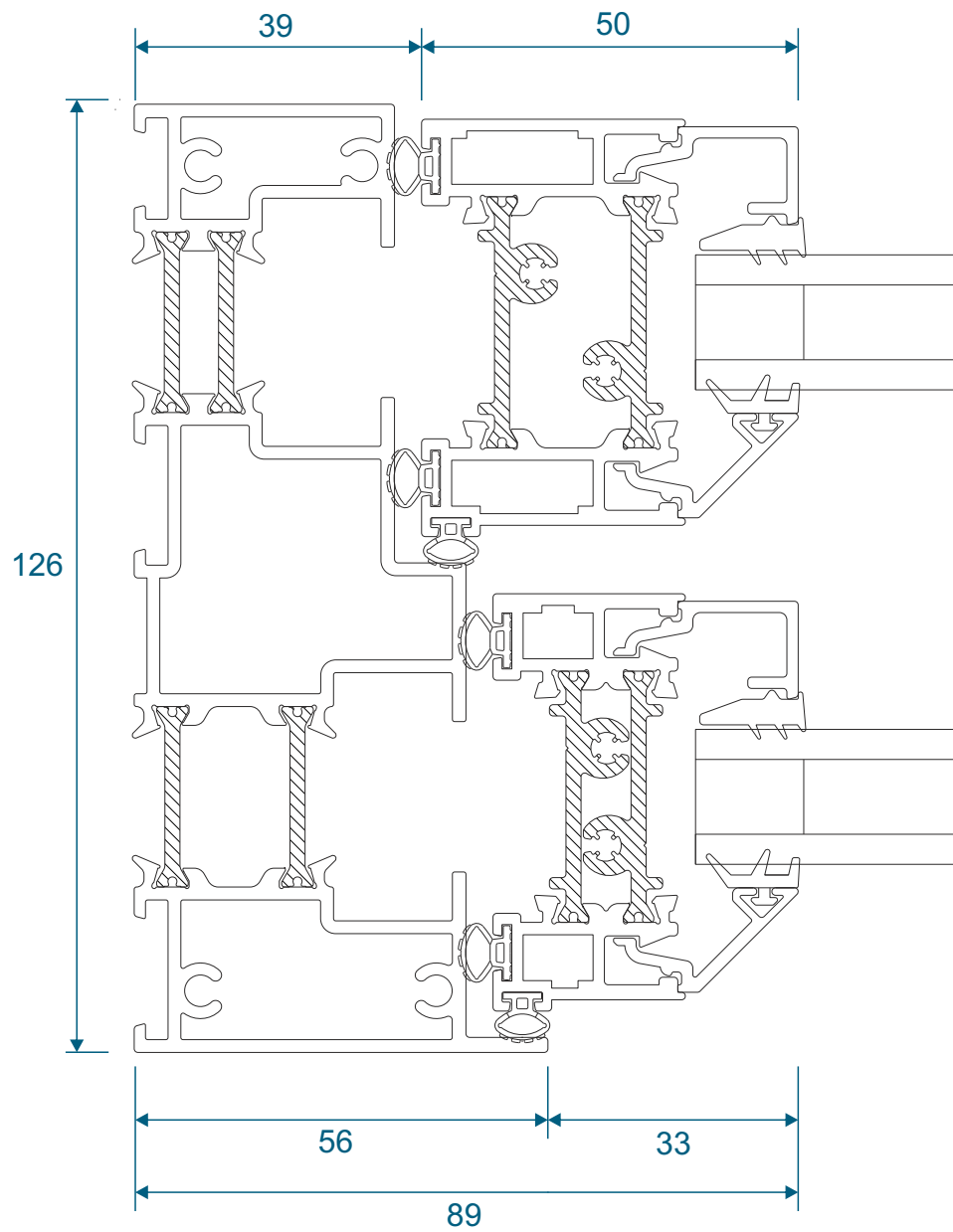


Cill Section



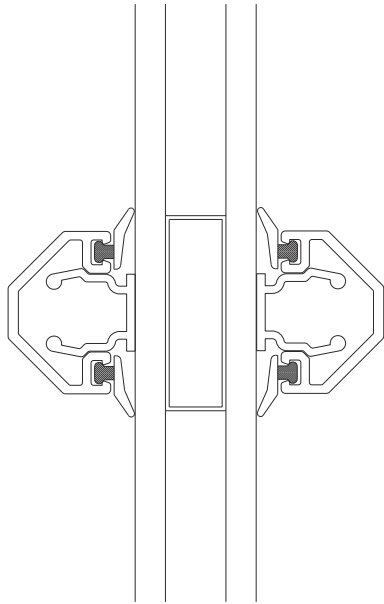
Sections

Jamb

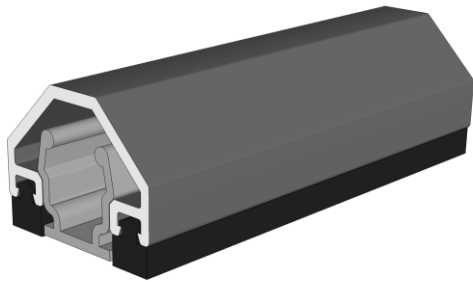
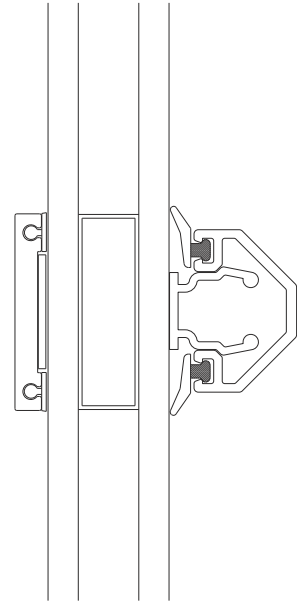


Astragal Bars

'A' Shaped Out And In



'A' Shaped Out / 25mm Flat In



Main Office & Factory

Units 4-5, t: 01268 681612 (20 lines)
Charfleets Road, f: 01268 510058
Canvey Island, e: sales@duration.co.uk
Essex. SS8 0PQ w: www.duration.co.uk

Grand Design Exhibition Centre

Unit 1 Casino Parade, t: 01268 695100
Eastern Esplanade,
Canvey Island, SatNav Directions
Essex. SS8 7FJ Use: SS8 7DN.